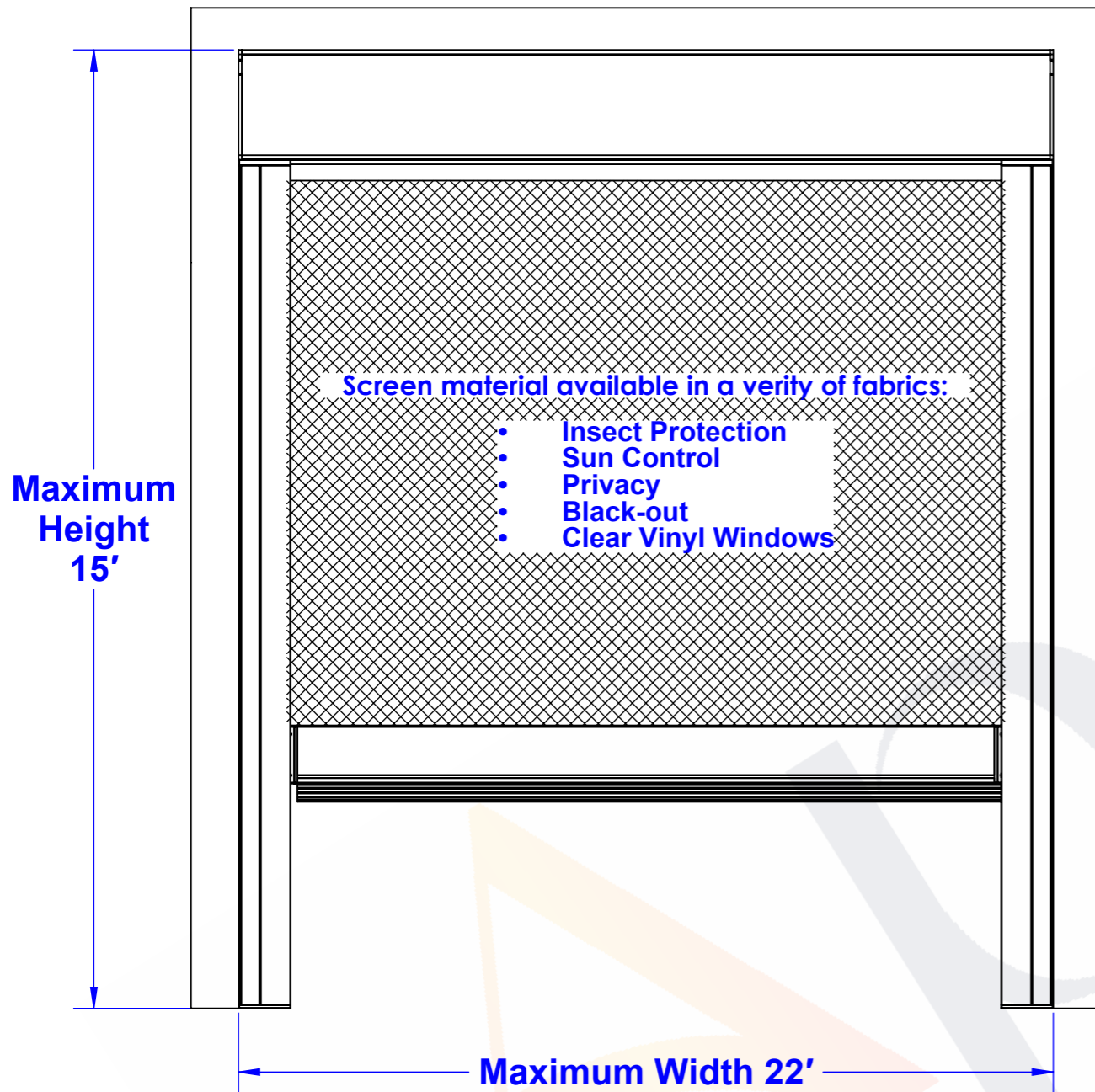
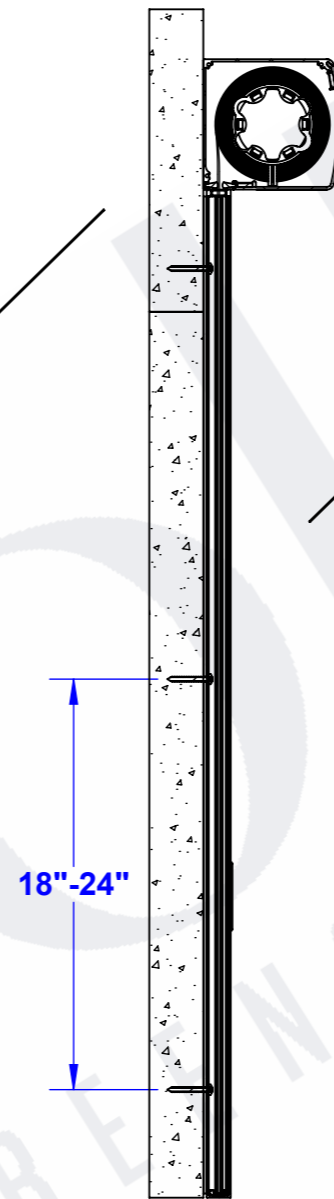


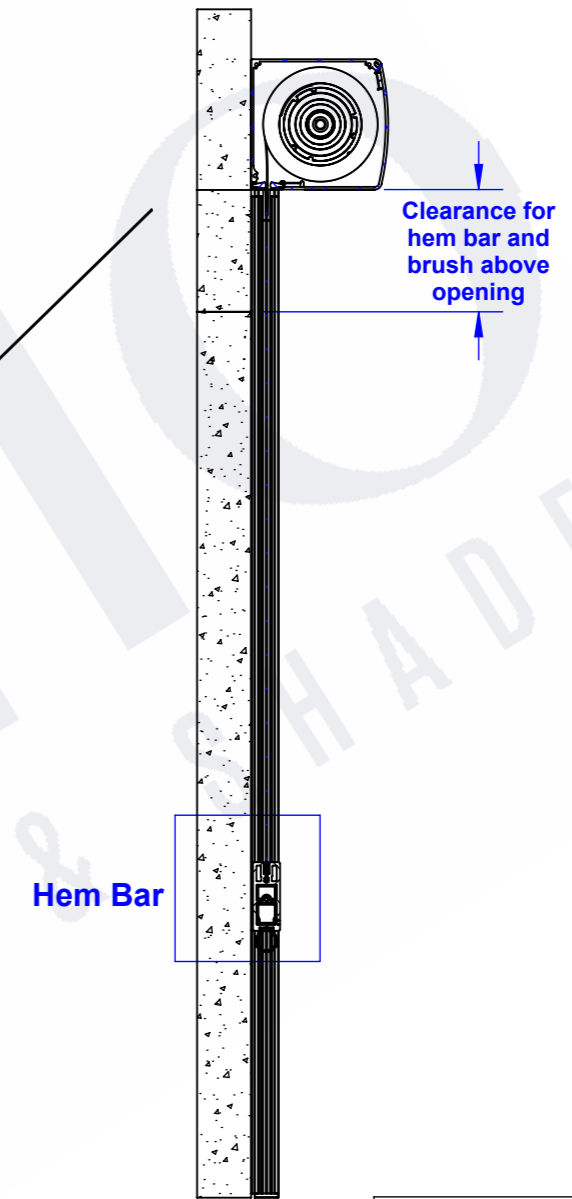
FRONT VIEW



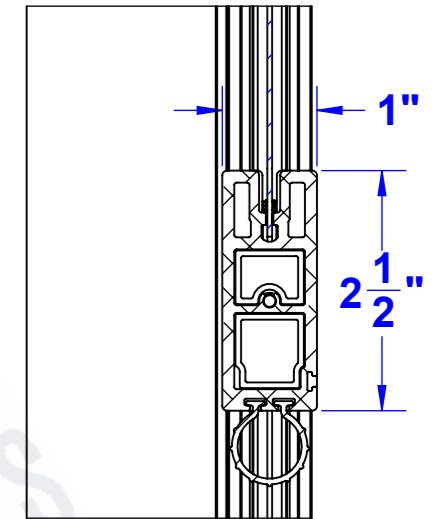
SIDE VIEW



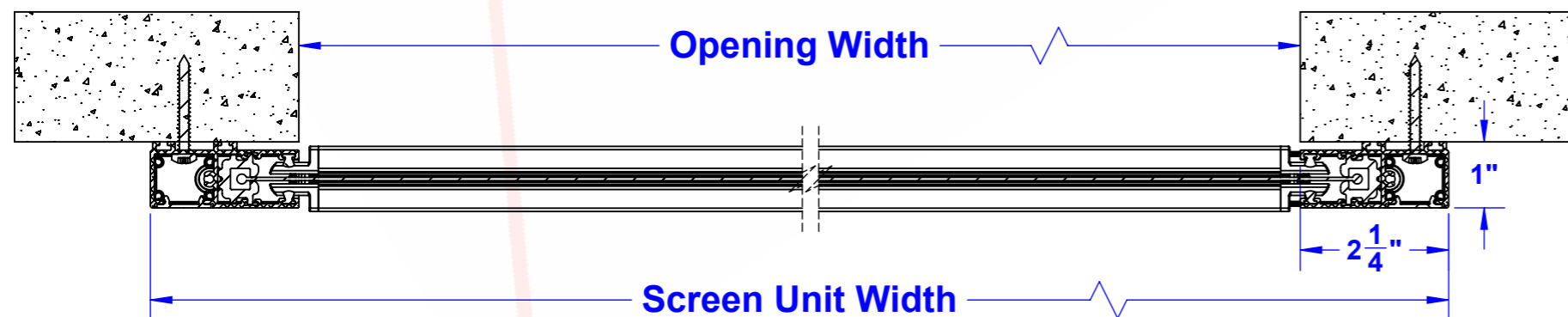
HOOD & HEM BAR



HEM BAR DETAIL



SIDE TRACK DETAIL



Motor:
 - 120V AC 60Hz
 - Index Protection Rating: IP 44

Operation:
 - Radio Frequency Handheld Remote or Wall Switches
 - Apps For Smart Phones
 - Compatibility With Home Automation Systems

UNLESS OTHERWISE SPECIFIED DIMENSION ARE IN INCHES:

.X - ±0.3
 .XX - ±0.1
 .XXX - ±.005

ANGLES ±1.0°

ALL DIMENSION & TOLERANCES APPLIES AFTER THE PLATING PROCESS. DEBURR & BREAK SHARP EDGES .005 R MAX. PER ASME Y14.5 M-1994

INTERPRET GEOMETRIC TOLERANCING PER:

MATERIAL

FINISH

www.apolloscreen.com

	NAME	DATE
DRAWN	V.STOEV	8/10/2023
CHECKED		
ENG APPR.		
MFG APPR.		
Q.A.		
COMMENTS:		

SIZE D	DWG. NO.	REV A
SCALE: 1:7	WEIGHT:	SHEET 1 OF 1